

# PowerStick

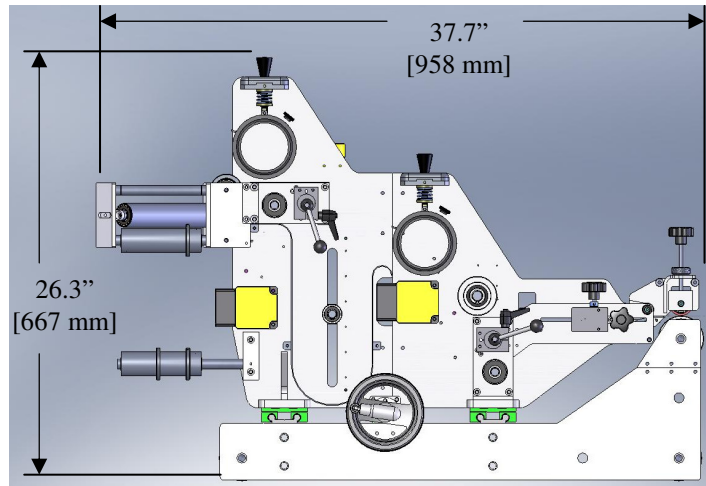
(US Patent 8,453,700)

## Core Model Information

**PowerStick provides completely flexible placement of pressure-sensitive labels, samples or closures to your moving web.**

The core model includes: one applicator & a frame with adjustable left-right positioning. It runs continuously using external supply & waste handling systems that we can provide upon request.

Multiple units can be mounted within a single frame if needed to apply more than one item across the web.



The **Core Model Applicator's** frame size depends on the width of your web and allows for edge-to-edge web coverage.

(Note: the unit can be adapted to attach directly to your press & use one of your rollers, rather than use a separate frame.)

Max Web Width	24 in. (610 mm)	38 in. (965 mm)	50 in. (1270 mm)
Frame Width	36 in. (915 mm)	50 in. (1270 mm)	62 in. (1575 mm)

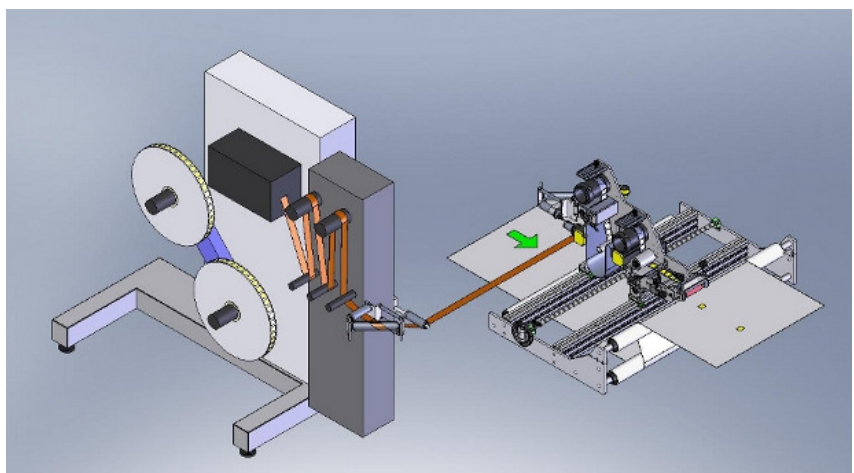
An **External Supply Configuration** (using butt splicer) is illustrated in the figure below.

Applicators may be either right-hand (shown) or left-hand. Turn-bar assemblies can configure to feed from left or right sides.

Waste handling not shown here.

Fan-folded packs of labels are another supply option.

Self-contained models that include supply roll and waste rewind mechanisms are also available.



**POWER**  
*FORWARD*

[www.powerfwd.com](http://www.powerfwd.com)  
Tel: 416.227.0002  
Fax: 416.227.1609